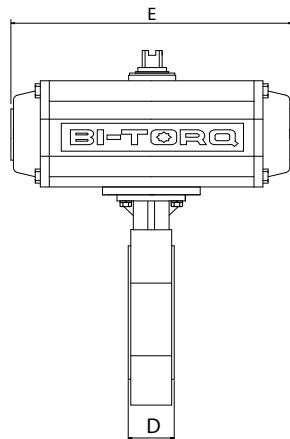
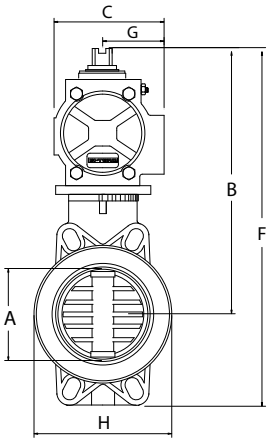


AUTOMATED PVC/CPVC BUTTERFLY VALVES



- Economic wafer style PVC BFVS
2-1/2" through 6" sizes
- PVC body and disc with double sealed shaft
optional CPVC construction
- EPDM, BUNA-N and VITON[®] seats
- Direct mount for low profile, cost-efficient operation
- Pneumatic, Electric and Gear Operators
- Ideal for pools, waterparks, fountains, aquariums
and light-duty chemical applications

PNEUMATIC ACTUATORS



ALL STANDARD PNEUMATIC ACTUATORS SIZED FOR 80 PSI SUPPLY; PLEASE CONSULT OUR SALES STAFF FOR OTHER COMBINATIONS.

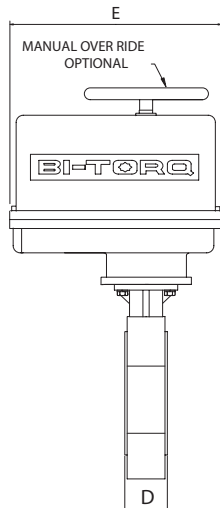
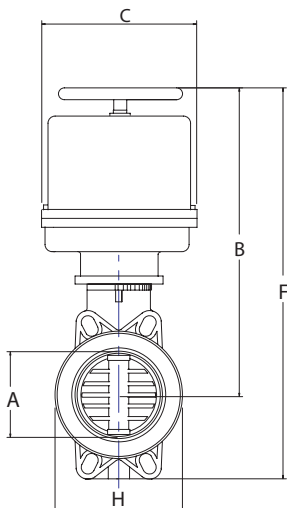
DOUBLE ACTING

	2-1/2"	3"	4"	5"	6"
A	2-1/2"	3"	4"	5"	6"
B	8.26	8.78	10.06	11.29	11.80
C	3.17	3.17	3.72	4.17	4.84
D	1.81	1.93	2.20	2.52	2.76
E	6.39	6.38	8.15	9.35	10.69
F	11.60	12.74	14.53	16.40	17.33
G	1.77	1.77	2.07	2.30	2.68
H	4.50	5.12	5.91	7.28	8.27
ACTUATOR	BI-63DA	BI-63DA	BI-75DA	BI-85DA	BI-100DA

SPRING RETURN

	2-1/2"	3"	4"	5"	6"
A	2-1/2"	3"	4"	5"	6"
B	8.26	9.88	11.02	12.98	13.97
C	3.17	4.17	4.84	5.39	5.83
D	1.81	1.93	2.20	2.52	2.76
E	6.38	9.35	10.69	12.91	14.41
F	11.60	13.84	15.49	18.09	19.50
G	1.77	2.30	2.68	2.87	3.15
H	4.50	5.12	5.91	7.28	8.27
ACTUATOR	BI-63SR	BI-85SR	BI-100SR	BI-115SR	BI-125SR

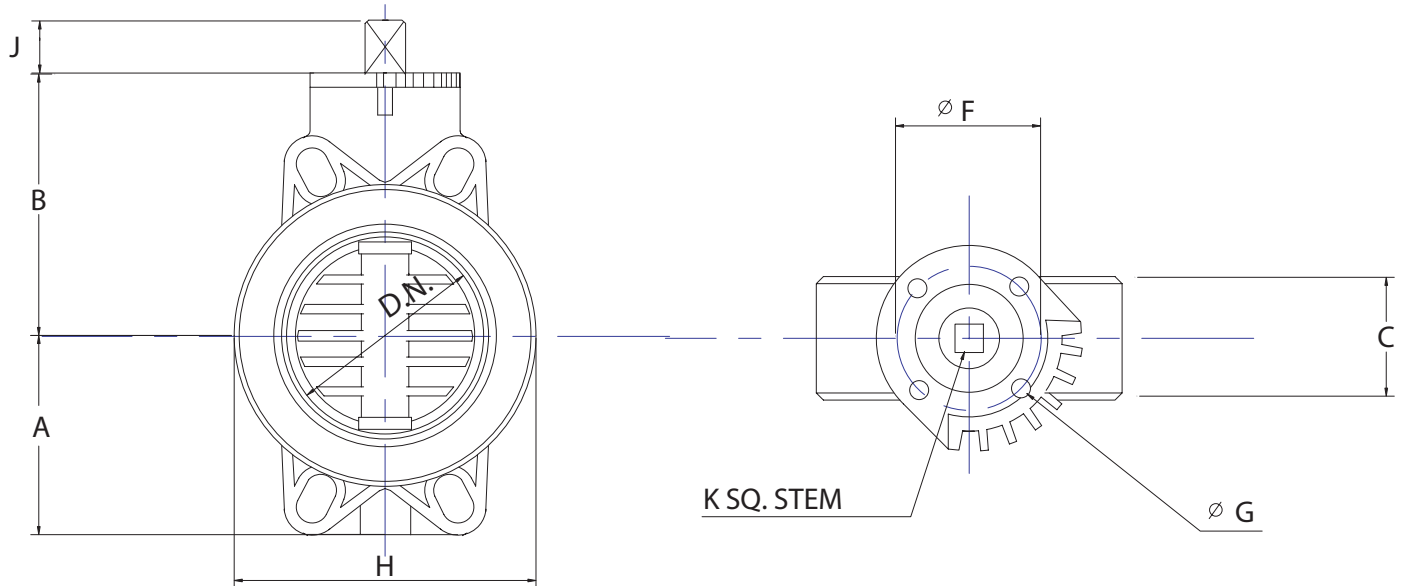
ELECTRIC ACTUATORS



	2-1/2"	3"	4"	5"	6"
A	2-1/2"	3"	4"	5"	6"
B	9.30	9.77	12.96	13.67	15.63
C	4.25	4.25	7.00	8.50	8.50
D	1.81	1.93	2.20	2.52	2.76
E	6.88	6.88	7.00	8.50	8.50
F	13.21	14.16	17.92	19.34	21.77
H	4.50	5.12	5.91	7.28	8.27
ACTUATOR	BI-200-A-4-P1	BI-300-A-4-P1	BI-400-A-4-P1*	BI-675-A-4-P1*	BI-1000-A-4-P1*

ALL ELECTRIC ACTUATOR DIMENSIONS ARE FOR NEMA 4 ENCLOSURES. FOR NEMA 7 ENCLOSURE DIMENSIONS, PLEASE CONSULT OUR SALES STAFF.
*INCLUDES DECLUTCHABLE MANUAL OVERRIDE

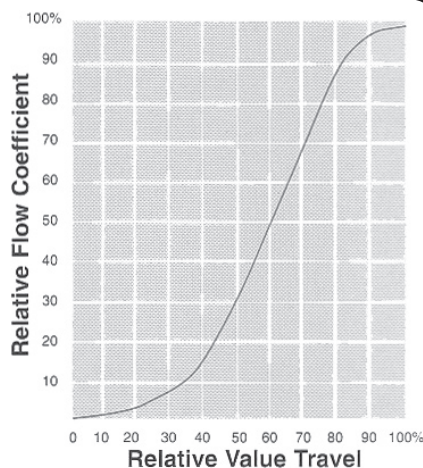
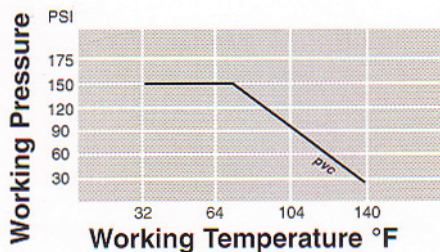
AUTOMATED PVC/CPVC BUTTERFLY VALVES



DIMENSIONS

SIZE	ISO	A	B	C	F	G	H	J	K
2-1/2"	F07	3.34	4.30	1.81	2.76	0.35	6.50	0.47	0.433
3"	F07	3.96	4.82	1.93	2.76	0.35	7.28	0.63	0.551
4"	F07	4.47	5.45	2.20	2.76	0.35	8.31	0.63	0.551
5"	F07	5.11	6.23	2.52	2.76	0.35	9.45	0.75	0.669
6"	F07	5.53	6.75	2.76	2.76	0.35	10.60	0.75	0.669

TECHNICAL DATA



VALVE CHARACTERISTICS

SIZE	WEIGHT (LBS.)	CV
2-1/2"	3.19	119
3"	3.59	248
4"	4.40	413
5"	6.16	692
6"	8.14	1309

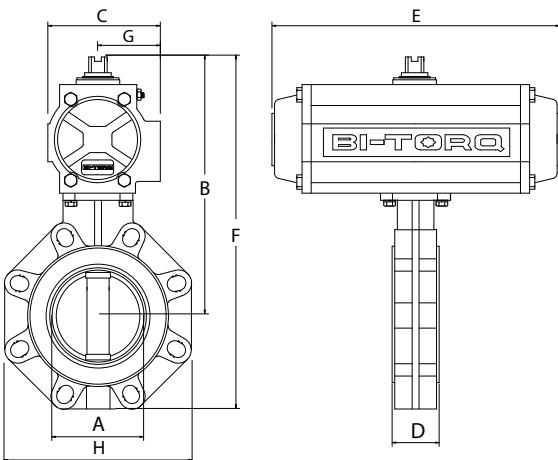
- WORKING PRESSURE: 150 PSI 2-1/2"-6"
- WORKING TEMPERATURE: 73°F @ 150 PSI

AUTOMATED POLYPROPYLENE BUTTERFLY VALVES



- Heavy-duty polypropylene BFVS
2-1/2" through 12" sizes
- Polypropylene body and disc with double sealed shaft
- EPDM, BUNA-N and VITON[®] seats
- Direct mount for low profile, cost-efficient operation
- Pneumatic, Electric and Gear Operators
- Ideal for industrial and chemical applications
- True lug style valves also available

PNEUMATIC ACTUATORS



ALL STANDARD PNEUMATIC ACTUATORS SIZED FOR 80 PSI SUPPLY; PLEASE CONSULT OUR SALES STAFF FOR OTHER COMBINATIONS.

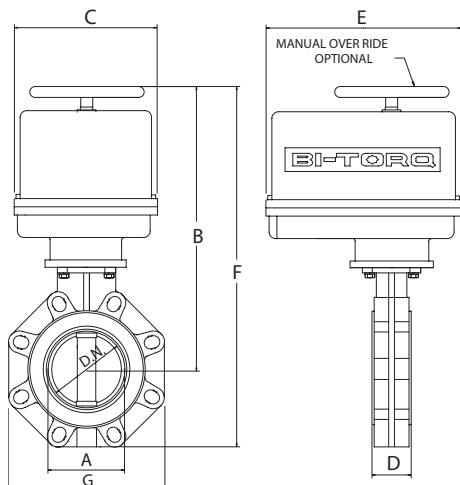
DOUBLE ACTING

	2-1/2"	3"	4"	5"	6"	8"	10"	12"
A	2-1/2"	3"	4"	5"	6"	8"	10"	12"
B	8.65	9.20	10.40	10.65	12.67	14.86	19.98	23.59
C	3.17	3.17	3.72	4.17	4.84	5.39	5.83	7.36
D	1.81	1.93	2.20	2.52	2.76	2.80	4.49	4.49
E	6.39	6.38	8.15	9.35	10.69	12.91	14.41	20.55
F	11.80	12.86	14.61	15.37	17.93	21.20	23.42	27.95
G	1.77	1.77	2.07	2.30	2.68	2.87	3.15	3.94
H	6.50	7.28	8.31	9.45	10.60	12.72	15.95	18.70
ACTUATOR	BI-63DA	BI-63DA	BI-75DA	BI-85DA	BI-100DA	BI-115DA	BI-125DA*	BI-160DA*

SPRING RETURN

	2-1/2"	3"	4"	5"	6"	8"	10"	12"
A	2-1/2"	3"	4"	5"	6"	8"	10"	12"
B	8.65	9.71	10.85	13.16	14.18	18.95	24.35	26.60
C	3.17	4.17	4.84	5.39	5.83	7.36	8.58	8.58
D	1.81	1.93	2.20	2.52	2.76	2.80	4.49	4.49
E	6.38	9.35	10.69	12.91	14.41	20.55	22.64	22.64
F	11.80	13.37	15.04	17.88	19.48	27.22	32.62	36.25
G	1.77	2.30	2.68	2.87	3.15	3.94	4.29	4.29
H	6.50	7.28	8.31	9.45	10.60	12.72	15.95	18.70
ACTUATOR	BI-63SR	BI-85SR	BI-100SR	BI-115SR	BI-125SR	BI-160SR*	BI-200SR*	BI-200SR*

ELECTRIC ACTUATORS



	2-1/2"	3"	4"	5"	6"	8"	10"	12"
A	2-1/2"	3"	4"	5"	6"	8"	10"	12"
B	10.07	10.62	13.18	14.37	14.90	16.74	24.39	27.64
C	4.25	4.25	7.00	7.00	7.00	7.00	10.00	10.00
D	1.81	1.93	2.20	2.52	2.76	2.80	4.49	4.49
E	6.88	6.88	7.00	8.50	8.50	8.50	10.00	10.00
F	13.22	14.28	17.39	19.09	20.20	23.08	32.66	37.29
H	6.50	7.28	8.31	9.45	10.60	12.72	15.95	18.70
ACTUATOR	200-A-4-P1*	300-A-4-P1*	400-A-4-P1**	675-A-4-P1**	1000-A-4-P1**	1500-A-4-P1**	3800-A-4-P1***	3800-A-4-P1***

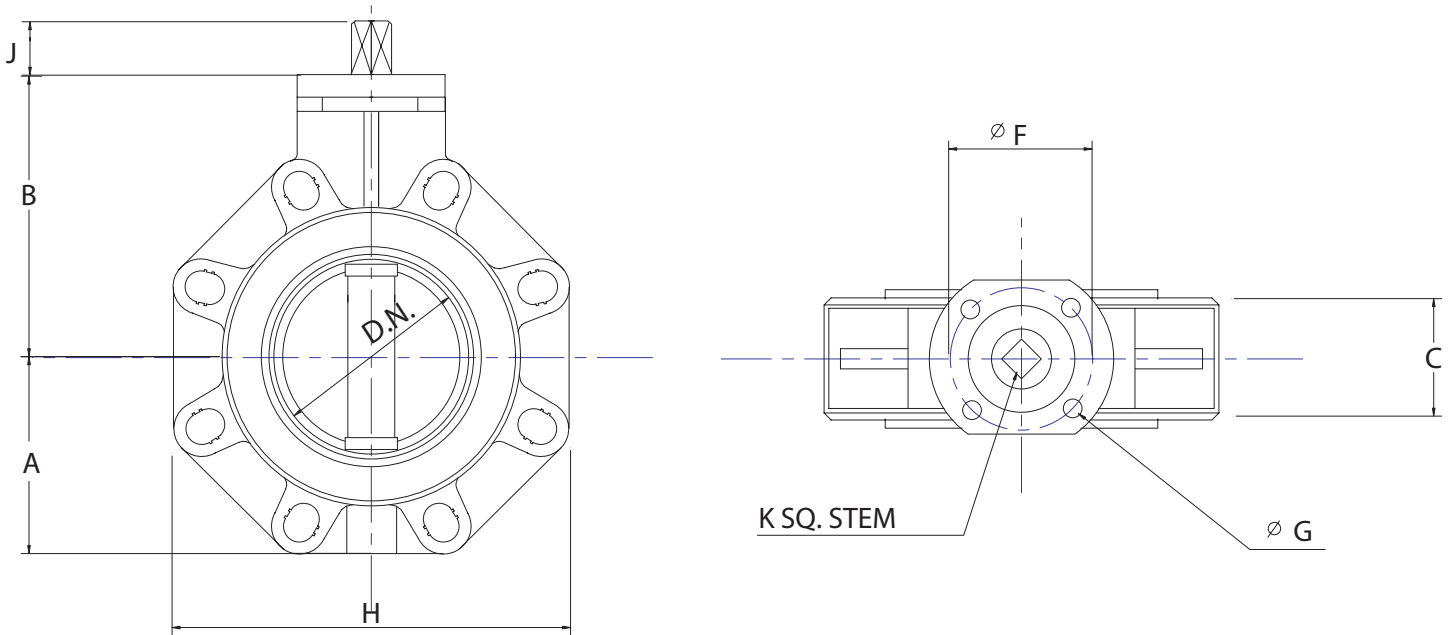
ALL ELECTRIC ACTUATOR DIMENSIONS ARE FOR NEMA 4 ENCLOSURES. FOR NEMA 7 ENCLOSURE DIMENSIONS, PLEASE CONSULT OUR SALES STAFF.

*INCLUDES CARBON STEEL MOUNTING KIT

**INCLUDES DECLUTCHABLE MANUAL OVERRIDE

***INCLUDES CARBON STEEL MOUNTING KIT AND DECLUTCHABLE MANUAL OVERRIDE

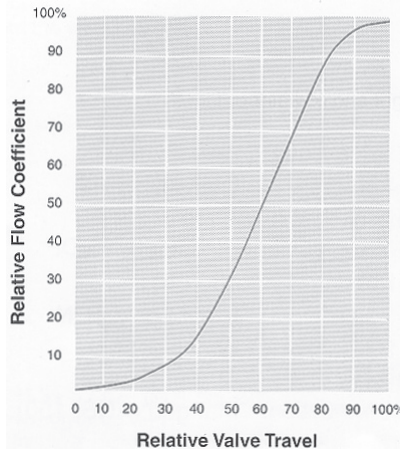
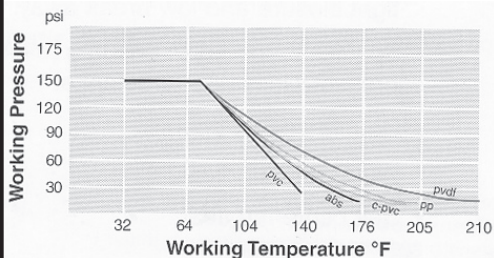
AUTOMATED POLYPROPYLENE BUTTERFLY VALVES



DIMENSIONS

SIZE	ISO	A	B	C	F	G	H	J	K
2-1/2"	F07	3.15	4.69	1.81	2.76	0.35	6.50	0.47	0.433
3"	F07	3.66	5.24	1.93	2.76	0.35	7.28	0.63	0.551
4"	F07	4.21	5.79	2.20	2.76	0.35	8.31	0.63	0.551
5"	F07	4.72	6.57	2.52	2.76	0.35	9.45	0.75	0.669
6"	F07	5.30	7.10	2.80	2.76	0.35	10.60	0.75	0.669
8"	F10	6.35	8.94	2.80	4.02	0.43	12.72	0.94	0.860
10"	F10/12/14	8.27	9.77	4.49	4.02/4.92/5.51	0.67	15.95	1.14	1.063
12"	F10/12/14	9.65	12.01	4.49	4.02/4.92/5.51	0.67	18.70	1.14	1.063

TECHNICAL DATA



VALVE CHARACTERISTICS

SIZE	WEIGHT (LBS.)	CV
2-1/2"	3.23	119
3"	4.11	248
4"	4.88	413
5"	6.82	692
6"	8.47	1309
8"	14.35	2135
10"	21.52	4440
12"	31.60	6903

- WORKING PRESSURE: 150 PSI 2-1/2"-12"
- WORKING TEMPERATURE: 73°F @ 150 PSI